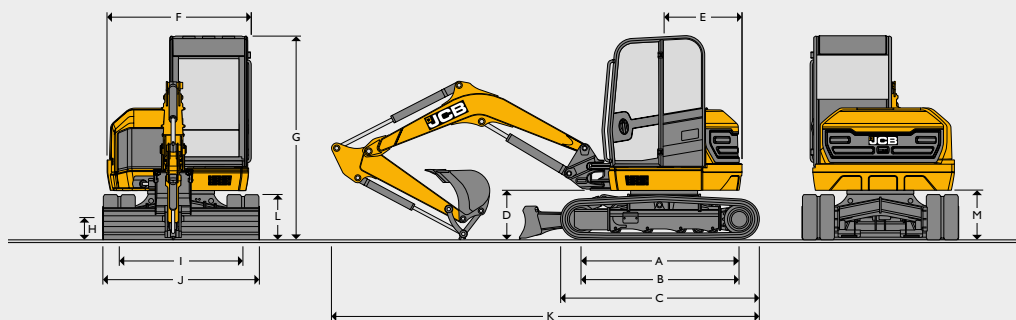


STATIC DIMENSIONS



Machine model	48Z-I	51R-I	55Z-I	57C-I	
A Sprocket idler centres	mm		1985		
B Track length on ground	mm		1985		
C Undercarriage overall length – rubber	mm		2490		
Undercarriage overall length – steel	mm		2490		
D Kingpost clearance	mm		631		
E Tailswing radius	mm	975	1030	1000	1300
F Overall width of superstructure	mm	1820	1850	1845	
G Height over cab	mm	2551		2561	
H Ground clearance	mm	300			
I Track gauge	mm	1550			
J Width over tracks	mm	1950			
K Transport length with standard dipper	mm	5353	5349	5518	5495
L Track height	mm	560			
M Counterweight clearance	mm	618			

ENGINE

Machine model	Standard		Optional	
	48Z-I, 51R-I, 55Z-I, 57C-I		48Z-I, 51R-I, 55Z-I, 57C-I	
Model	Stage 3A 404D-22		Tier 4 Final KDI 1903	
Fuel	Diesel			
Cooling	Water cooled			
Gross power ISO 14396	kW	35.7 (@ 2600rpm)	36 (@ 2200rpm)	
Net power	kW	33.1 (@ 2600rpm)	33.4 (@ 2200rpm)	
Gross torque ISO 14396	Nm	143 (@ 1800rpm)	225 (@ 1500rpm)	
Displacement	cc	2179		1903
Gradeability	degrees	35		30
Starter motor	kW	2		2
Battery	volt / amps	12V / 75Ah		12V / 75Ah
Alternator	amps (Air con)	85		100

UNDERCARRIAGE

Machine model	48Z-I	51R-I	55Z-I	57C-I	
No of top rollers	1				
No of bottom rollers	4				
Track width rubber (STD)	mm		400		
Track width steel	mm		400		
Ground bearing pressure (400mm tracks)	kg/cm ²	0.30	0.32	0.35	0.36
Ground bearing pressure (550mm tracks)	kg/cm ²	0.22	0.23	0.25	0.26
Track tensioning	Grease				
Travel speed – low	kph	3			
Travel speed – high	kph	4.6			
Tractive effort	kN	35.7	36.5	38.1	40

HYDRAULIC SYSTEM

Machine model	48Z-I	51R-I	55Z-I	57C-I
Pump	cc		63	
Nominal output @ 2000rpm	lpm		126	
Excavator/track main relief pressure	bar		240	
Slew main relief pressure	bar		216	
Auxiliary hydraulic pressure (Low)	bar		190	
Auxiliary hydraulic pressure (High)	bar		190	
Auxiliary hydraulic flow (Low)	lpm		40	
Auxiliary hydraulic flow (High)	lpm		90	
Hydraulic pump	Piston			

WEIGHTS

Machine model	48Z-I	51R-I	55Z-I	57C-I	
Operating weight* (400mm rubber tracks)	kg	4792	5112	5366	5483
Shipping** weight (400mm rubber tracks)	kg	4662	4982	5236	5353
With FOGs guard – stage 1	kg			+ 16	
Aircon (includes FOGS guard-stage 1)	kg	+ 61		+ 66	
With steel tracks (400mm)	kg			+ 154	
With steel tracks (550mm)	kg			+ 276	
With Geo grip tracks (400mm)	kg			+ 176	
With 4 way dozer	kg			+ 219	
Hydraulic quickhitch installation weight	kg			+ 72.5	

* Operating weight to ISO 6016 including cab, rubber tracks, standard dipper, 600mm bucket, full tanks and a 75kg operator.

** Shipping weight to ISO 6016 is mass of the base machine without an operator, with the fuel level at 10% of tank capacity.

SERVICE CAPACITIES

Machine model	48z-1	51R-1	55z-1	57C-1
Fuel tank	ltr 76			
Engine coolant	ltr Stage 3A: 12 / Tier 4: 9.2			
Engine oil	ltr Stage 3A: 9.1 max / Tier 4: 8 max			
Hydraulic system	ltr 100		ltr 112	
Hydraulic tank	ltr 55		ltr 62	

OPERATOR ENVIRONMENT

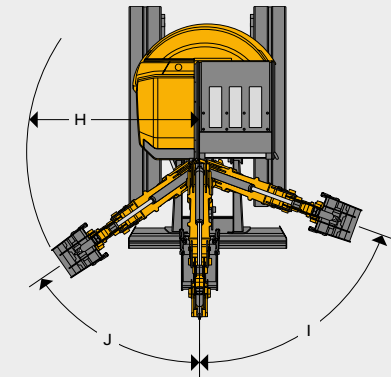
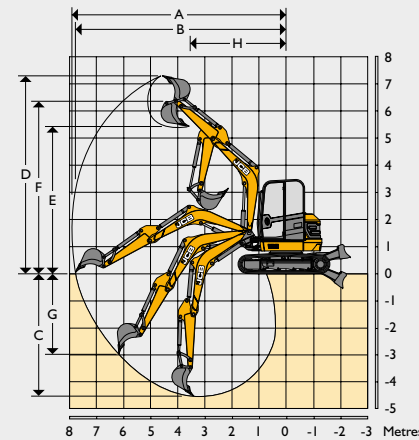
Machine model	48z-1	51R-1	55z-1	57C-1
Cab/canopy height	mm	2551	2561	
Cab/canopy height with FOGS guard LEVEL I	mm	2575	2585	
Cab/canopy length	mm	1291	1491	
Cab/canopy width	mm	1020		
Door aperture width	mm	552	595	

STANDARD EQUIPMENT

Fully glazed ROPS & TOPS certified cab with programmable Intermittent wiper with wash/wipe, 3 speed heater/demister with 4 adjustable air vents, Colour LCD display, Digital clock, Internal lockable toolbox, Cup holder, Coat hook, stowage net, 12v accessory socket, Interior light, Full audio/visual warning systems, Auto idle throttle, Below idle system, one touch idle, 4 power bands(light, eco, heavy & heavy plus), ISO servo controls with electro-hydraulic dozer lever, Electro-proportional thumb controlled high flow single acting auxiliary, 10 selectable auxiliary flow rates, Joystick mounted hammer switch, Neutral start, Full control isolation, "2GO" hydraulic isolation, Midback suspension seat, removable floormat, Beacon ready kit, Two speed tracking, Auto-kickdown track motors, 400mm short pitch rubber tracks, Double element air cleaner, Heavy-duty alternator, Heavy-duty battery, Hydraulic slew braking with disc type park brake, ORFS hydraulics, Colour coded hydraulic hoses, 500 hour dig end greasing intervals, Heavy duty boom cylinder guard, Protected boom worklight, Quick release auxiliary couplers, 100% steel bodywork, dedicated tie down and lifting points, JCB Livelink, CESAR datatag (UK only).

OPTIONAL EQUIPMENT

Air-conditioning with 8 adjustable air vents, Adjustable sunblind, FOPS guard stage I, 400mm or 550mm steel tracks, 400mm Geo GripRoad Liner tracks, Fan guards, Battery isolator (standard for EU), High back seat or deluxe heated high back air-suspension seat, Radio installation, Electro-proportional thumb controlled low flow auxiliary, Hose burst check valve lifting kit (dozer, boom & dipper), Bucket-to-grab change over valve, Mechanical quickhitch, Hydraulic quickhitch, Hydraulic quickhitch ready pipework, General purpose digging eco buckets, Ditch/grading eco buckets, Hydraulic hammers, Rotating/strobe beacon, Travel alarm, Toolkit, Greasegun & cartridge, Fire extinguisher, Exterior cab mounted mirrors, Interior mirror, Electric refuelling pump, JCB Immobiliser (Unique key or keypad system), Dozer float, 4-way angled dozer blade, Dual pattern controls (ISO/SAE change-over), Thumb ready dipper, Special paint options, LED or Halogen worklights (either, with follow me home function), ROPS & TOPS certified canopy, Tilt rotate ready installation, Media socket, Radio ready kit, Worklight guards (cab), Dipper/crowd Ram guards, Rearview camera, Rearview angled mirror, JCB impact protection front screen, Bushed kingpost, Electronic single-double acting change over valve.

WORKING RANGE

		48z-1	51R-1	55z-1	57C-1
Dipper length	mm	1450	1570		1820
Boom length	mm	2700		2866	
A Max digging reach	mm	5846	5962	6119	6260
B Max digging reach on ground	mm	5714	5832	5995	6144
C Max digging depth – dozer up	mm	3327	3447	3606	3856
Max digging depth – dozer down	mm	3532	3652	3843	4077
D Max digging height	mm	5387	5473	5664	5846
E Max dump height	mm	4001	4088	4274	4456
F Max height to dipper nose pivot pin	mm	4679	4764	4970	5152
G Max vertical wallcut depth	mm	1971	2069	2052	2254
H Min front swing radius (no offset)	mm	2599	2631	2641	2608
Min front swing radius (fully offset)	mm	2123	2151	2160	2155
I Boom swing left	degrees	70			
J Boom swing right	degrees	55			
Bucket rotation	degrees	181			
Dipper rotation	degrees	121			
Bucket tearout	kN	38		42	
Dipper tearout	kN	22	21	29	26
Slew speed	rpm	8.3			

DOZER

Machine model	48z-1	51R-1	55z-1	57C-1	
Dozer length	mm	1141			
Max height above ground	mm	433			
Dig depth below ground	mm	464			
Approach angle	degrees	31			
Width	mm	1962			
Height	mm	400			